

# MP14E Canopy

- Marapco sound attenuated , weatherproof enclosures are manufactured from heavy gauge galvanised sheet steel (polyester powder painted for rust-proofed protection).
- Enclosures are fitted with extra-thick, high-density acoustic grade foam for superior performance. Access is provided by wide aperture lockable doors with corrosion resistant fasteners.
- The residential silencer is mounted internally for enhanced performance and heavy-duty lifting eyes are provided on the baseframe as standard.

## Canopy Features, Benefits & Extras

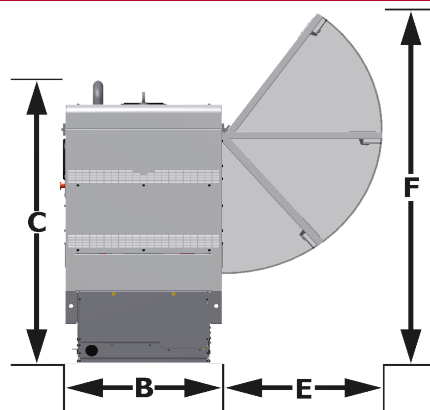
### Standard Options

- Polyester powder coated galvanised steel
- Fuel tank and filler cap
- Rain cap and vertical air outlet
- Fuel/water separator
- Exhaust Silencer & manifold stud pipe
- Emergency Stop push button
- Heavy duty doors, hinges and latches
- Controller display window

### Optional Extras

- Certified single lift point
- Retaining door bars
- Integrated spark arrestor
- Fire shut off valves
- Automatic fuel top-up
- Manual oil pump
- AC 3ph/1ph output sockets

## Canopy Data



**Standard reference conditions:** 25deg C (77deg F) air inlet temperature, 152.4m (500feet) above sea level, 60% relative humidity.

### Dimensions: mm

Length (A)	1946
Width (B)	720
Height (C)	1425
Max projection (D)	N/A
Max. Width (E)	1456
Max Height (F)	1762

### Sound Pressure Levels: dB(A)

	50Hz	60Hz
15m, 75% load	57	TBA
15m, 100% load	57.6	TBA
7m, 75% load	63	TBA
7m, 100% load	63.6	TBA
1m, 75% load	70.4	TBA
1m, 100% load	71.7	TBA

### Weights: kg

Dry Weight (with lube oil)	611
Wet Weight (lube oil and coolant)	620

*\*In line with our policy of continuous development, we reserve the right to change specification without notice. Specification and canopy data should*

## Marapco Ltd

8 Meadowbank Rd - Carrickfergus - N. Ireland - U.K. BT38 8YF  
 Tel: +44 (0) 2893 355674 - www.marapco.com - Email: sales@marapco.com