

APPROXIMATE MACHINE MASS	
MODEL	MASS (WET)**
MP660	6195 kg
MP710	6243 kg

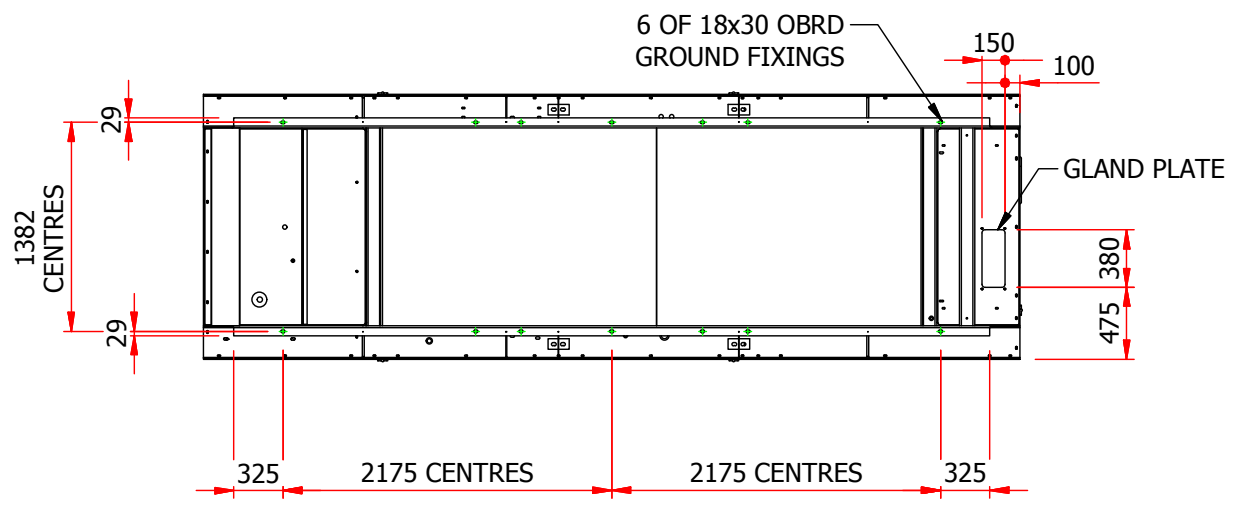
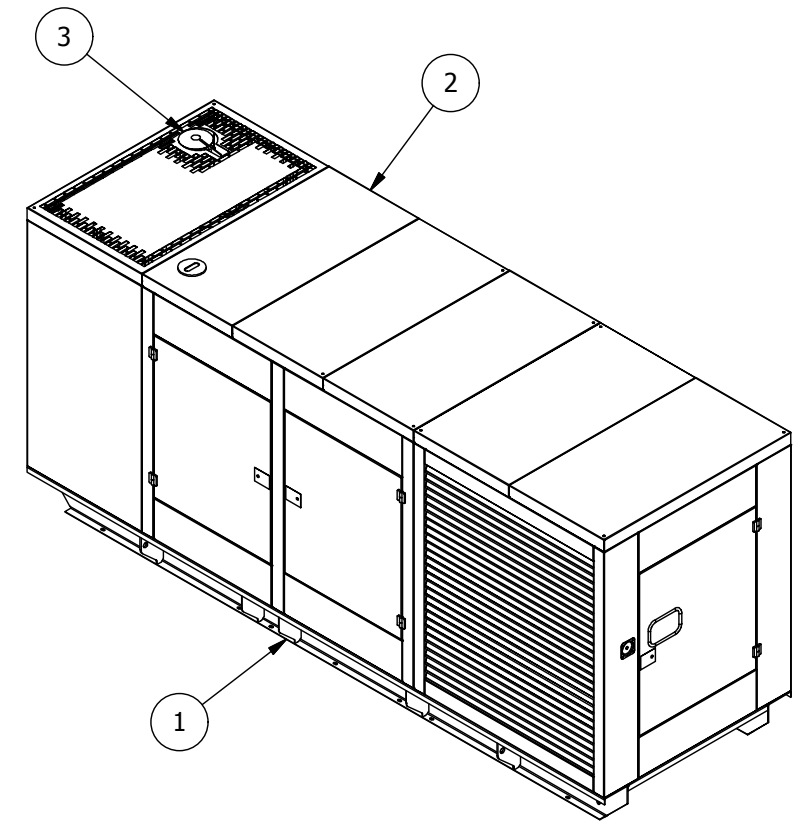
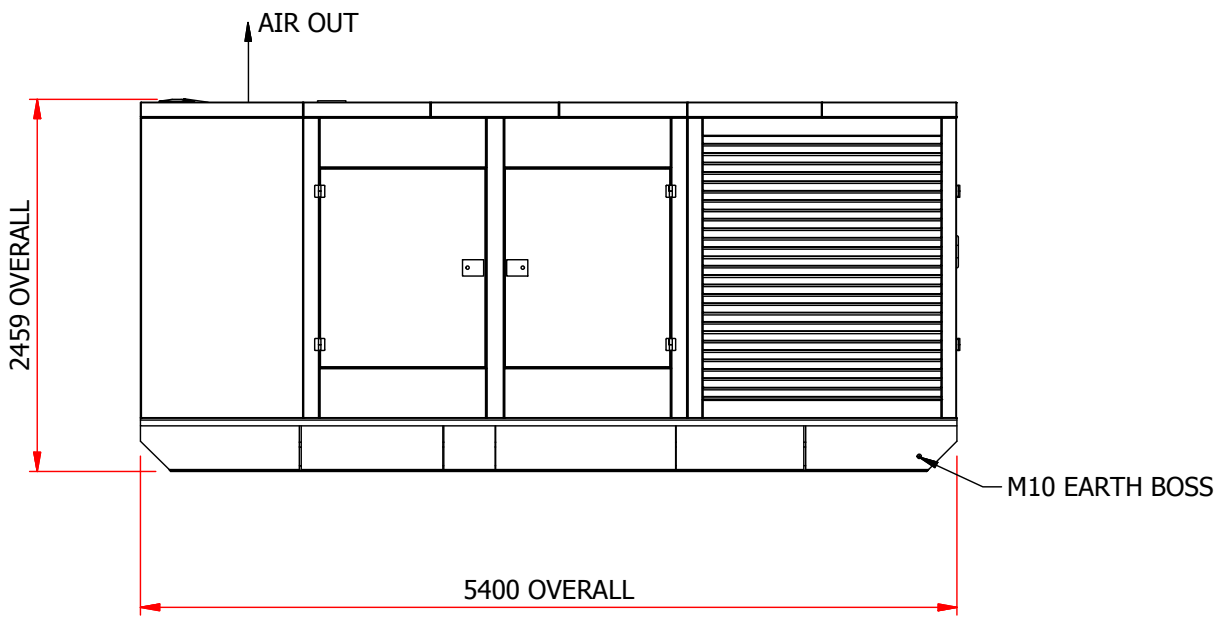
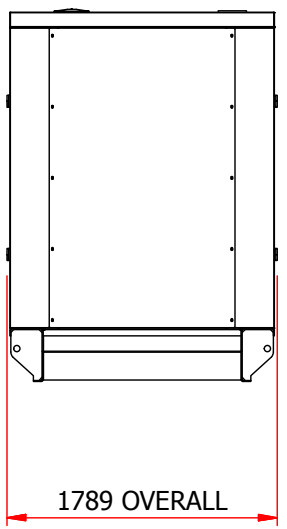
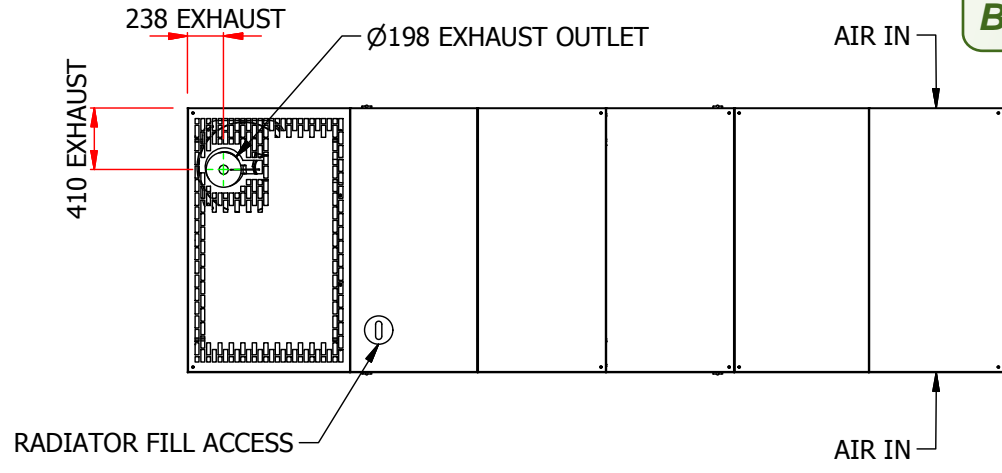
** EXCLUDING FUEL

NOTE:
1200mm CLEARANCE REQUIRED
AROUND THE GENSET FOR
MAINTENANCE ACCESS

APPROVED
By C. Fox at 11:48 am, Apr 01, 2015

ITEM	DESCRIPTION
1	BASEFRAME
2	CANOPY
3	EXHAUST
* 4	ENGINE
* 5	ALTERNATOR
* 6	CONTROL PANEL

* NOT SHOWN



MP710E CANOPY PERKINS GA

TOLERANCES EXCEPT WHERE OTHERWISE STATED
 0 - 500mm ±1mm
 500 - 2000mm ±2mm
 OVER 2000mm ±3mm
 STRUCTURAL ±3mm
 ANGULAR ±1°

SHEET SIZE
A3
 Marapco Ltd
 8 Meadowbank Rd
 Carrickfergus
 BT38 8YF, N.Ireland
 TEL +44 (0) 2893 355674

ORIGINAL SCALE
1:50

DRN BY
J.Armstrong DATE
10/03/2015

APPD BY DATE

ALL DIMENSIONS IN MILLIMETRES UNLESS OTHERWISE STATED

DO NOT SCALE

3rd ANGLE PROJECTION



DRAWING NO.
000-1610 ISSUE
A

REV	DESCRIPTION	ECO	JA BY	DATE
A	FIRST ISSUE	100	JA	