

APPROXIMATE MACHINE MASS	
Machine Model	Machine Mass (Wet)*
MP150E	2217
MP165E	2231
MP200E	2260
MP220E	2300

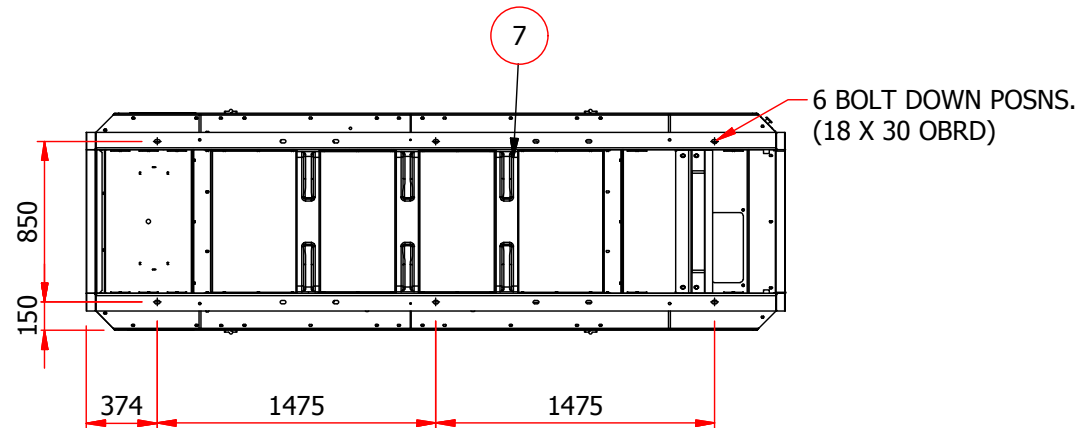
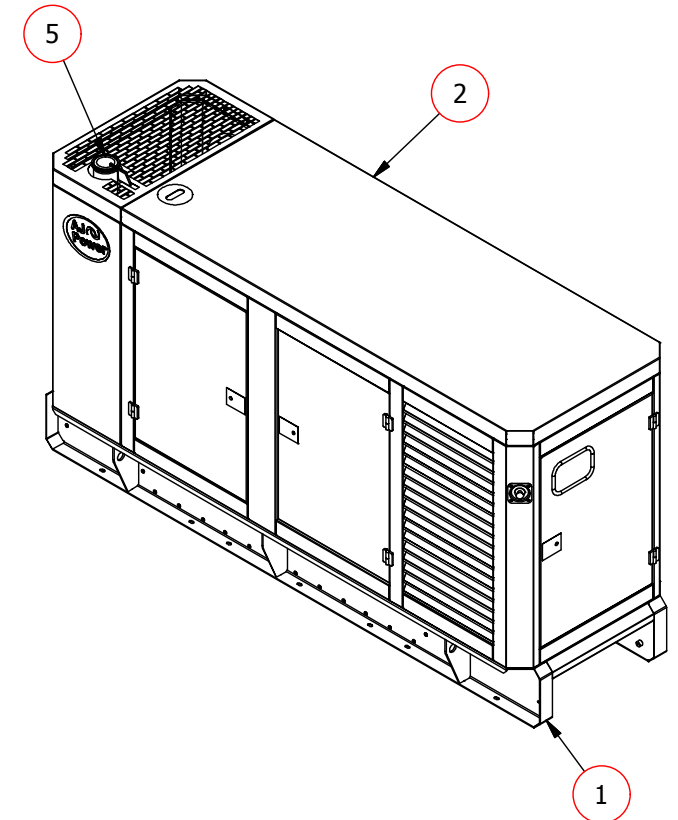
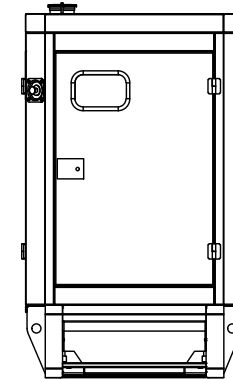
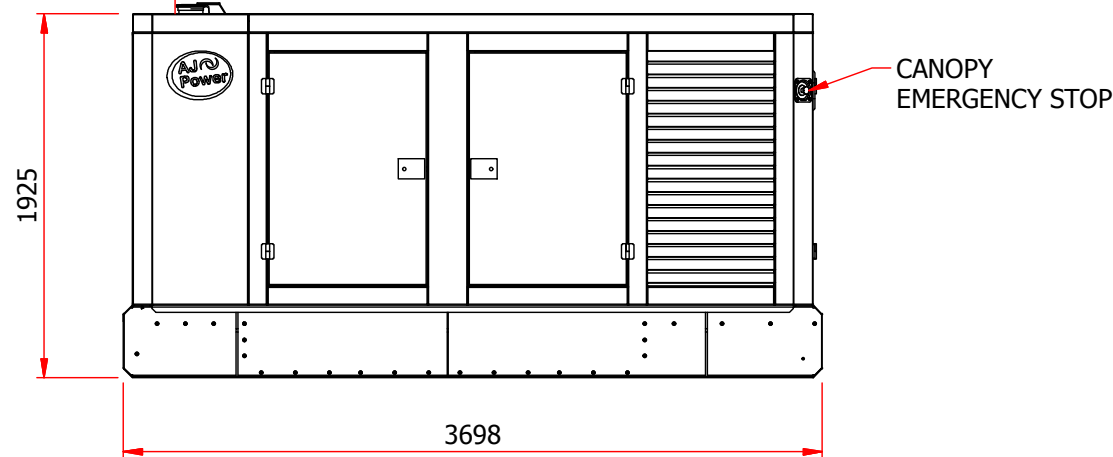
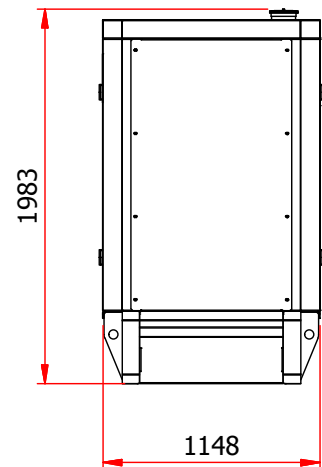
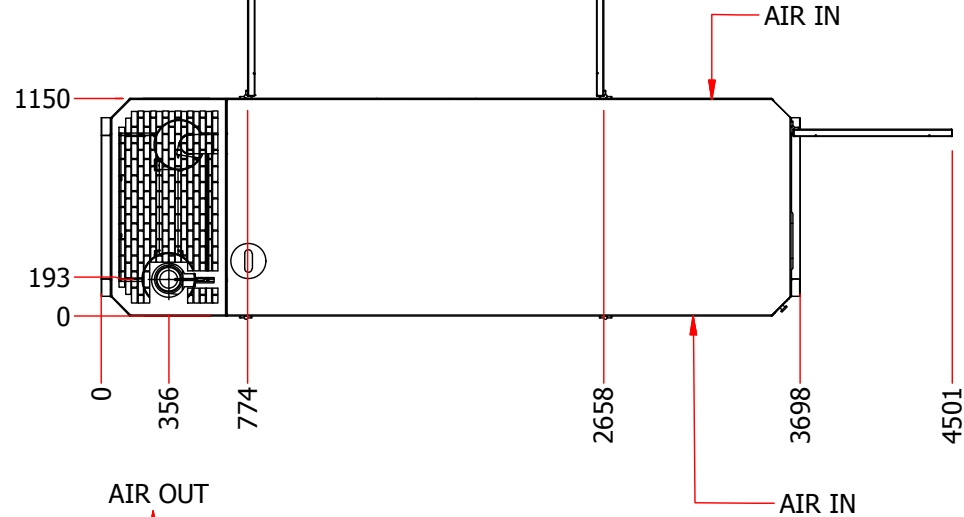
*EXCLUDES FUEL

APPROVED
By C. Fox at 11:04 am, Apr 15, 2016

ITEM	QTY	DESCRIPTION
1	1	CANOPY NON BUNDED MONOBOLT BASE
2	1	CANOPY GROUP
* 3	1	ENGINE GROUP
* 4	1	ALTERNATOR GROUP
5	1	EXHAUST GROUP
* 6	1	CONTROL PANEL GROUP
7	1	FUEL TANK GROUP

* NOT SHOWN

REQD BOTH SIDES
2003



MP220E CANOPY PERKINS LEROY GA

TOLERANCES EXCEPT WHERE OTHERWISE STATED
 0 - 500mm ±1mm
 500 - 2000mm ±2mm
 OVER 2000mm ±3mm
 STRUCTURAL ±3mm
 ANGULAR ±1°

ALL DIMENSIONS IN MILLIMETRES UNLESS OTHERWISE STATED

DO NOT SCALE

3rd ANGLE PROJECTION

SHEET SIZE
A3

Marapco Ltd
 8 Meadowbank Rd
 Carrickfergus
 BT38 8YF, N.Ireland
 TEL +44 (0) 2893 355674



ORIGINAL SCALE
1 : 40

DRN BY
L.TAGGART DATE
14/04/2016

APPD BY DATE

DRAWING NO. ISSUE
000-1838 **A**

REV	DESCRIPTION	ECO	BY	DATE
A	FIRST ISSUE	100		